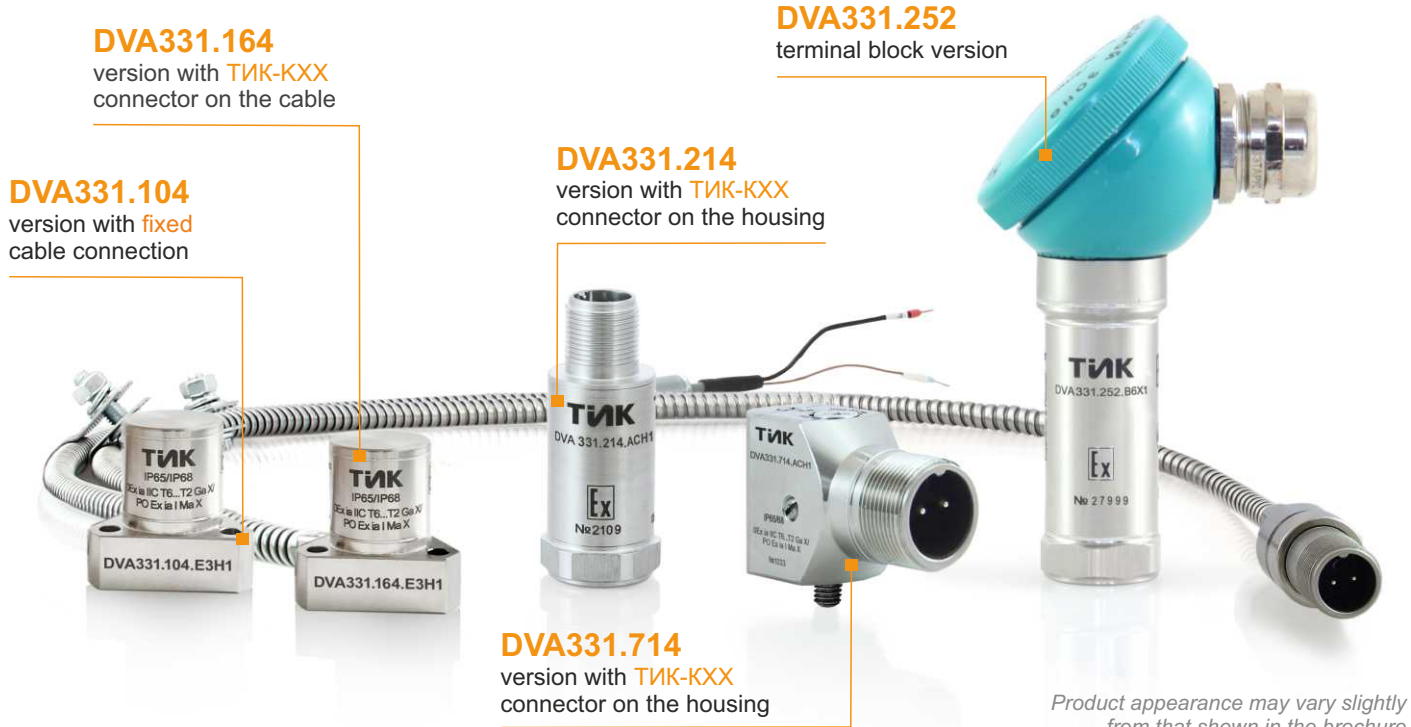


DVA331.XXX vibration displacement sensors with current output



Product appearance may vary slightly from that shown in the brochure

Features

Designed to measure the vibration displacement range. Consists of a sealed housing that comprises an integral acceleration sensor and a conversion board.

Depending on the version, the sensor is installed on the unit using the standard threaded stud M8, fastening with 3 screws or 1 screw. A threaded stud with a different thread, including inch thread, can be supplied on special order.

For the .214 version, it is possible to use cable assemblies with the MIL connector of imported transducers.

Metrological parameters

Conversion coefficient, mA/μm:				
0.16	0.128	0.064	0.032	0.016
Measurement ranges for vibration displacement range, μm:				
0-100	0-125	0-250	0-500	0-1000

Operating frequency range, Hz 5-500;
10-1000

Climatic version

Operating temperature range, °C

- H climatic version -40...+80
- X climatic version -60...+80
- K climatic version -196...+80

Interface

Output signal type (4-20) mA
Sensor supply voltage, V 10-24
Connection via the TIK-PLC controller* or the TIK-BIS safety barrier

* The controller operates as EPS, sensor power source, and a safety barrier

Protection parameters

- Explosion protection
- PO Ex ia I Ma X
0Ex ia IIC T6...T2 Ga X
Ex ia IIIC T₂₀₀ 100°C ... T₂₀₀ 280°C Da X
Ex ib IIIC T95°C ... T275°C Db X
 - 2Ex nA IIC T6...T2 Gc X
 - PO Ex ia I Ma X
 - 0Ex ia IIC T6...T2 Ga X
 - Ex ia IIIC T₂₀₀ 100°C ... T₂₀₀ 280°C Da X
 - Ex ib IIIC T95°C ... T275°C Db X

Protection class

- IP65/68 (DVA331.104/164/214/714)
- IP65 (DVA331.252)

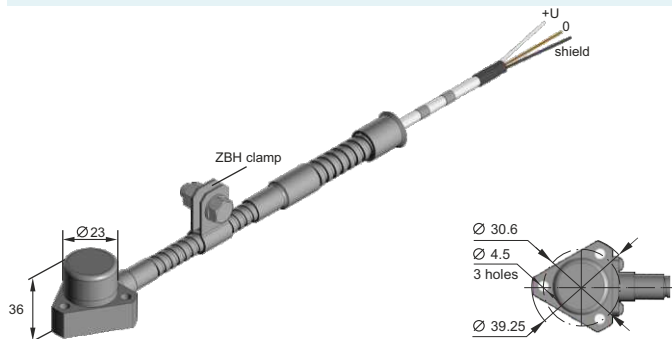
Reliability parameters

MTBF, hours, not less than 100 000
Warranty service life, months 24
Service life, years 20
Verification interval, years 2

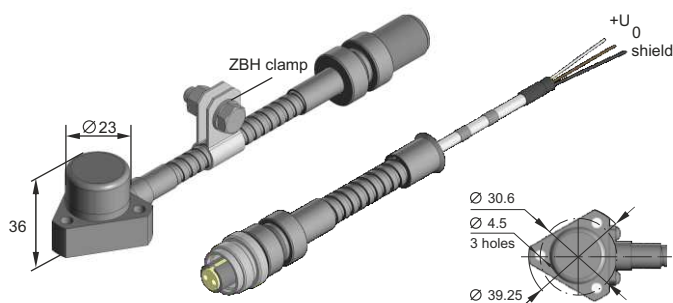


Constructive versions

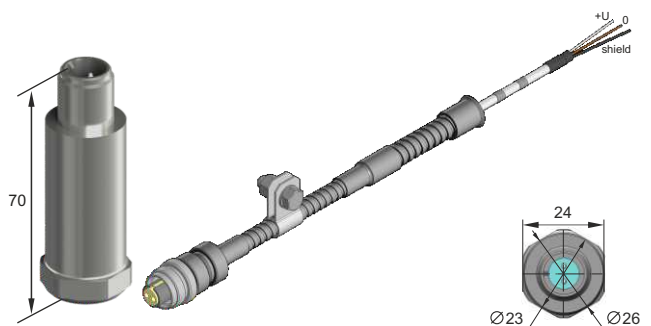
DVA331.104



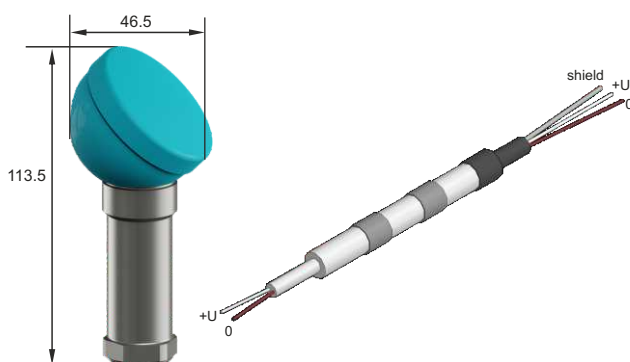
DVA331.164



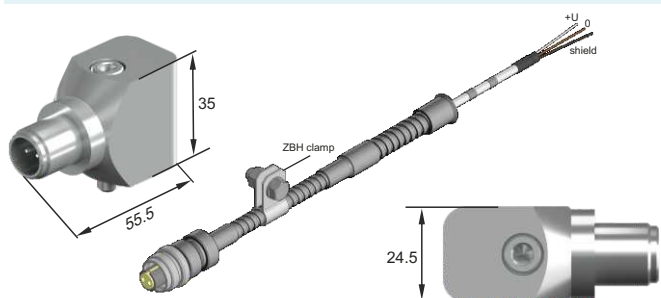
DVA331.214



DVA331.252



DVA331.714



Wiring diagrams

